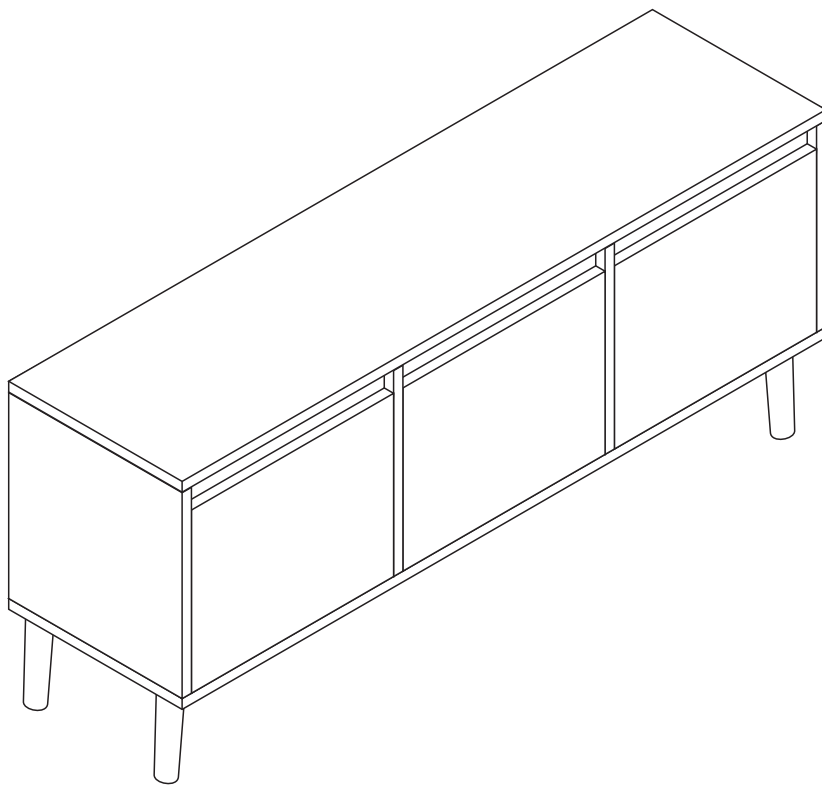
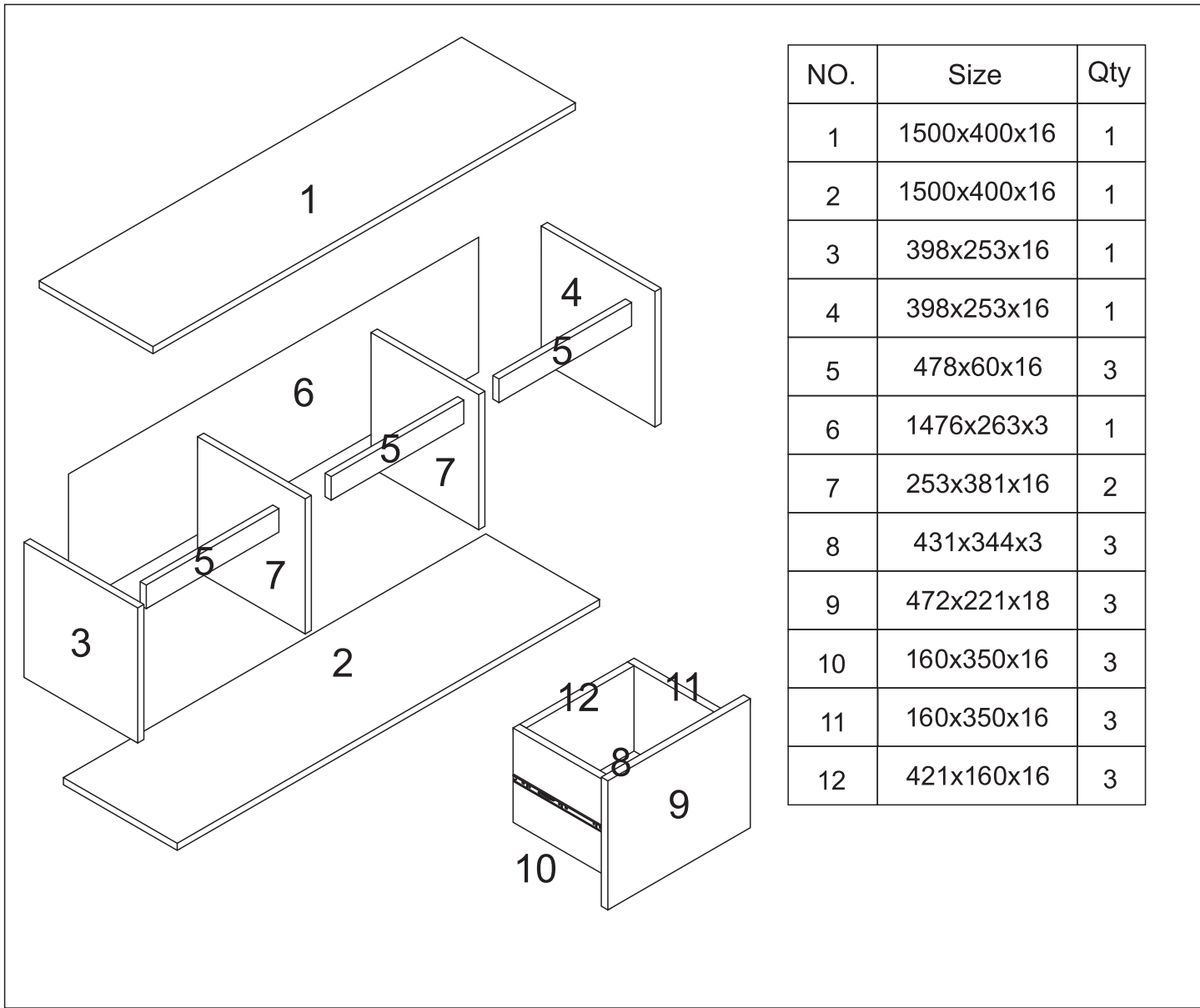


| | | |
|--------------|---------------------|---------------|
| SKU.NO. | 153.236.01 | USSURI OAK |
| PRODUCT NAME | RENO TV UNITE WHITE | |



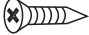

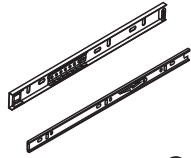

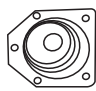




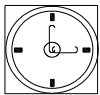
EN

1. Identify the parts which make up your piece of furniture.
 2. Gather the hardware parts and count them.
 3. Have the necessary assembly tools ready.
 4. Organize a space for assembly, wall carpeting or a blanket will protect the furniture against scratches.
 5. Never force the assembling while you put the parts together. You are recommended to tighten the screws after the furniture has been used for some time.
 6. After assembling this product, it is advisable to regularly ventilate the room for a few days.
- KEEP THE ASSEMBLY INSTRUCTION. THE RELEVANT INFORMATION YOU CAN FIND ON IT WILL HELP YOU GET IN TOUCH WITH YOUR STORE IF A PART WAS TO BE MISSING.



| NO. | Size | Qty |
|-----|-------------|-----|
| 1 | 1500x400x16 | 1 |
| 2 | 1500x400x16 | 1 |
| 3 | 398x253x16 | 1 |
| 4 | 398x253x16 | 1 |
| 5 | 478x60x16 | 3 |
| 6 | 1476x263x3 | 1 |
| 7 | 253x381x16 | 2 |
| 8 | 431x344x3 | 3 |
| 9 | 472x221x18 | 3 |
| 10 | 160x350x16 | 3 |
| 11 | 160x350x16 | 3 |
| 12 | 421x160x16 | 3 |

| | | | | |
|--|---|---|--|---|
| <p>A</p>   <p>41mm x40</p> | <p>B</p>  <p>ø3.5*16mm x66</p> | <p>C</p>  <p>ø3.5*40mm x12</p> | <p>D</p>  <p>250mm x6</p> | <p>E</p>  <p>x18</p> |
| <p>F</p>  <p>x4</p> | <p>H</p>  <p>x4</p> | <p>J</p>  <p>x1</p> | | |



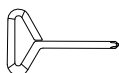
SET-UP TIME: 30 MINUTE



OUTILLAGE:
TOOLS:

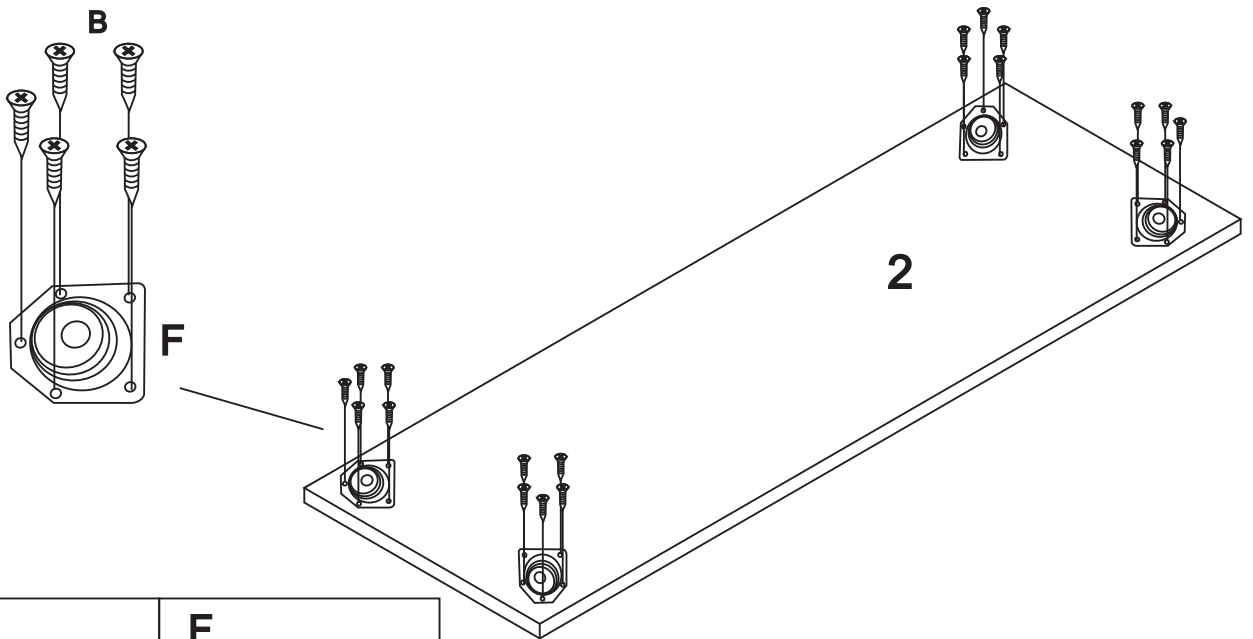


NUMBER OF PERSONS: 02



screw driver or drill

1



B



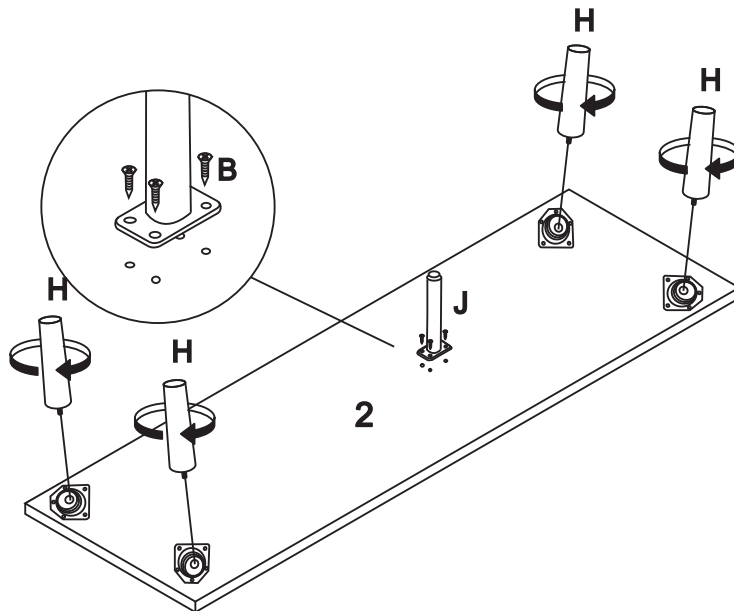
x20

F



x4

2



H



x4

B



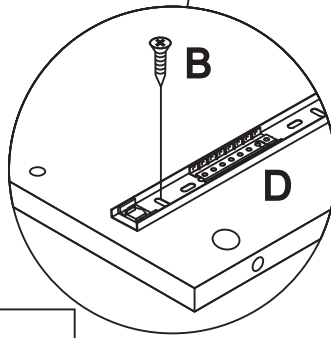
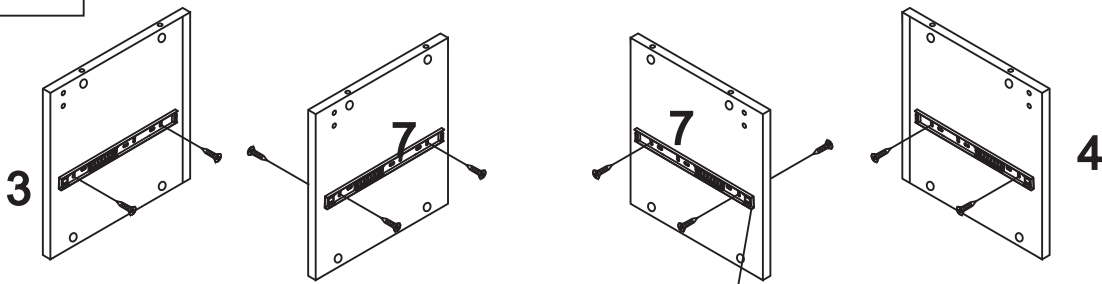
x4

J



x1

3



B



x12

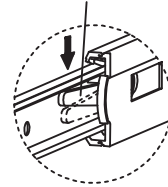
D



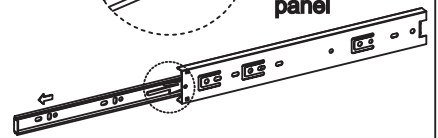
x6

Slide instructions

Remove the control lock

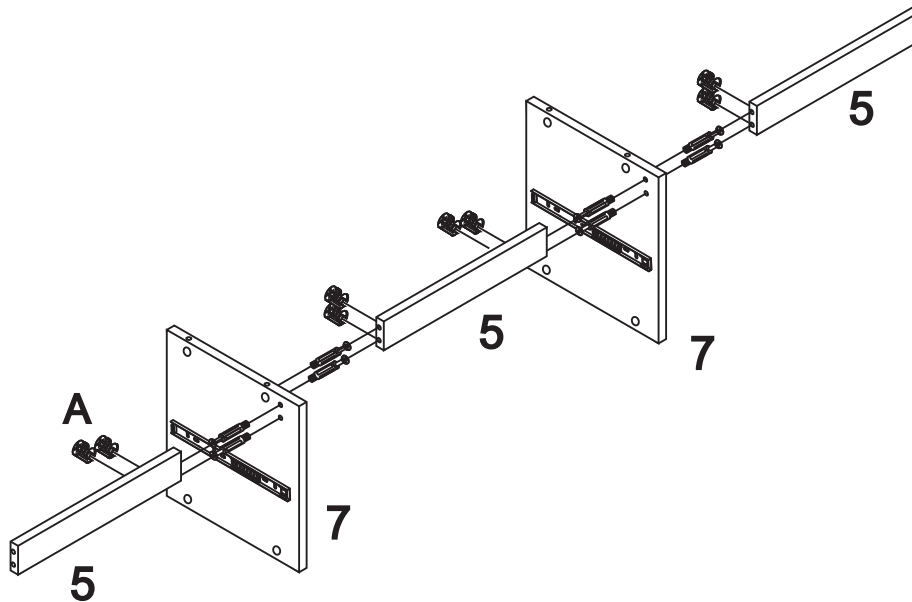


Fixed to side panel



Fixed on the side of the drawer

4

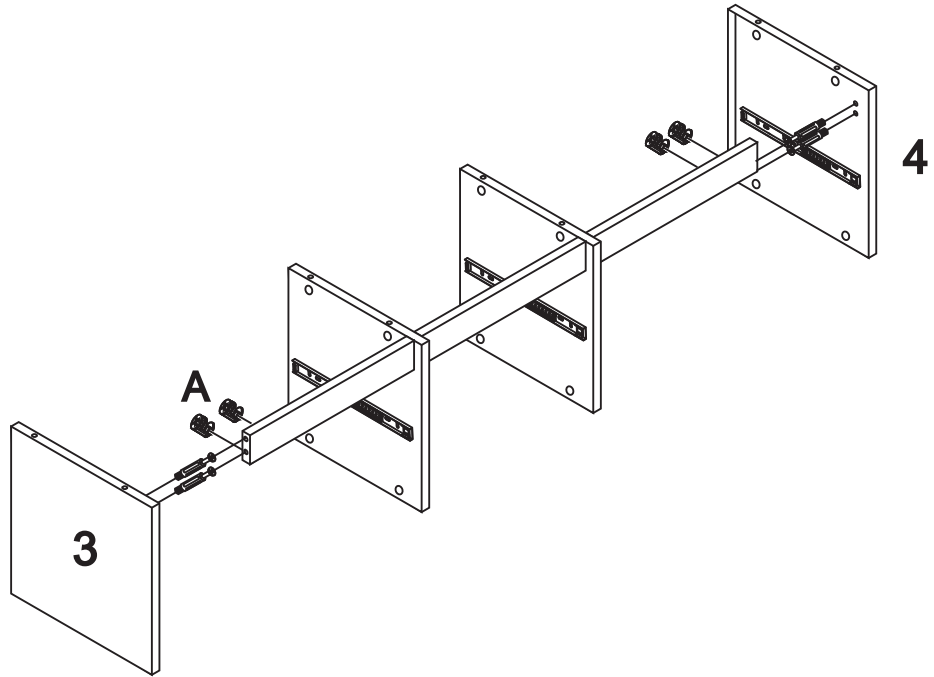


A

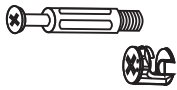


x8

5

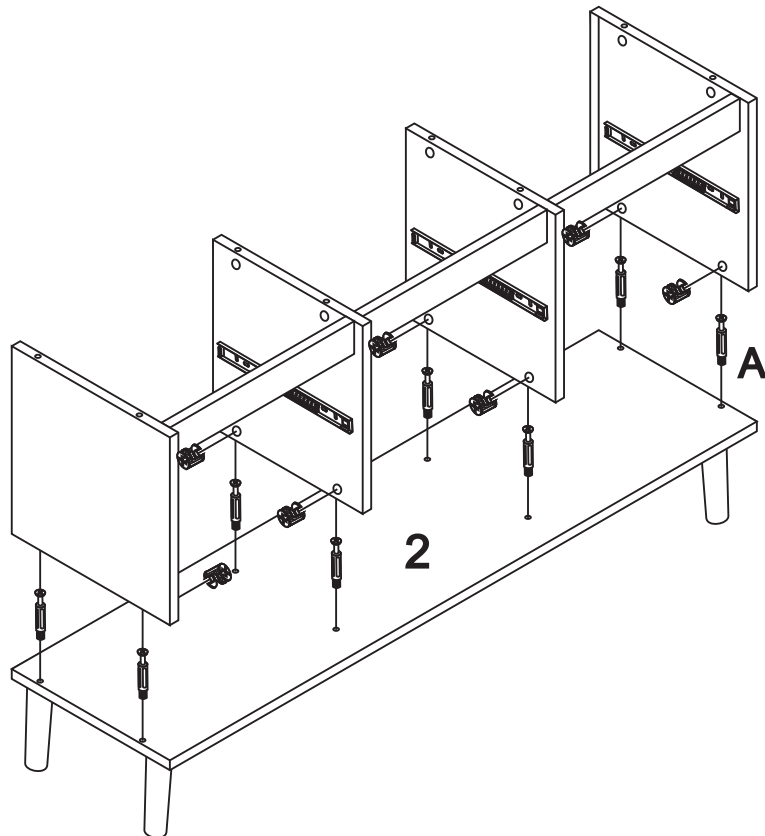


A

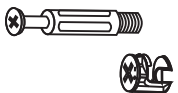


x4

6

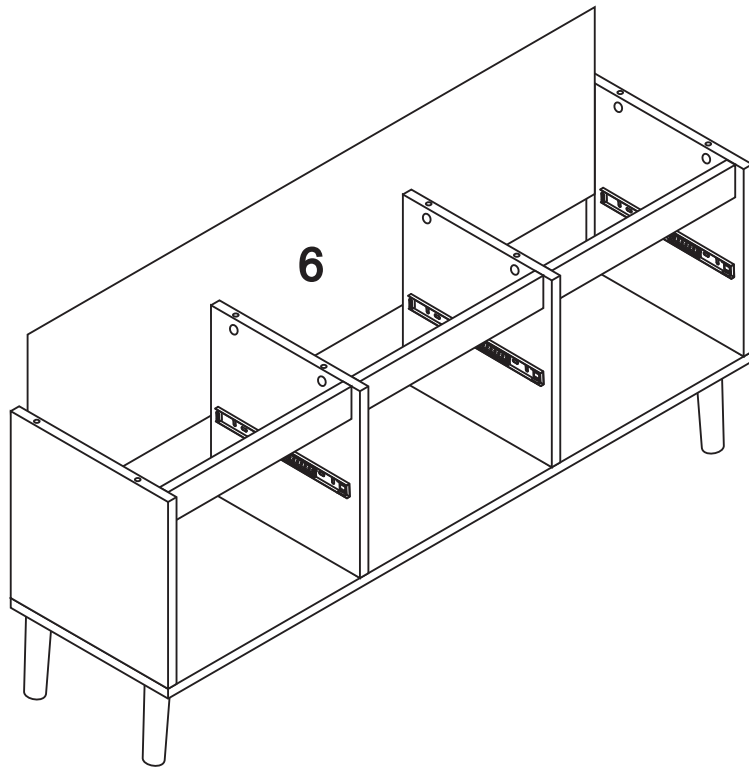


A

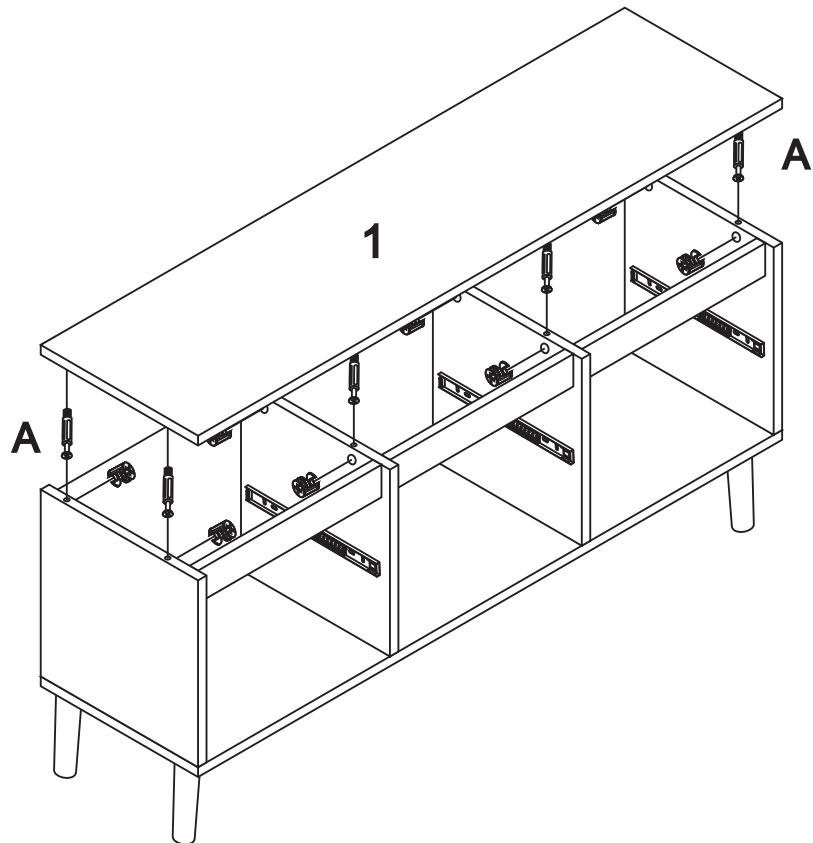


x8

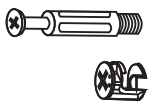
7



8

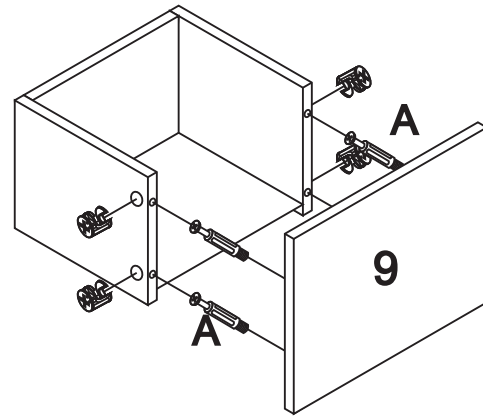
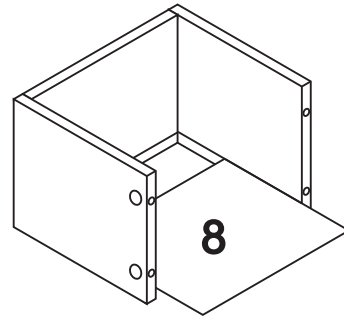
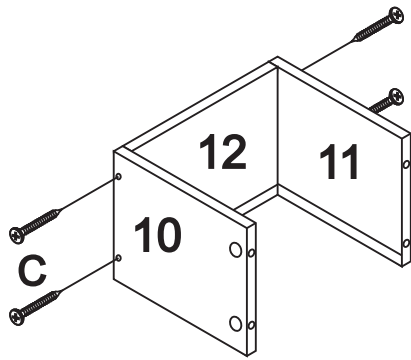


A



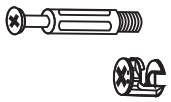
x8

9



x3

A



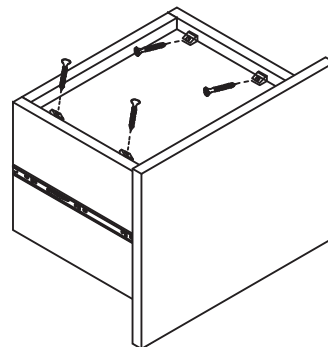
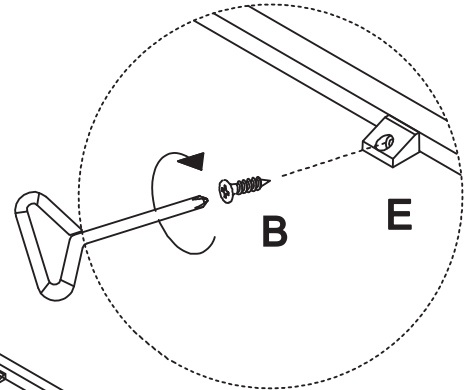
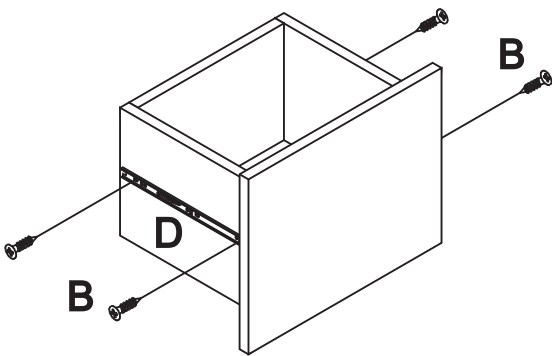
x12

C



x12

10



x3

B



x24

D



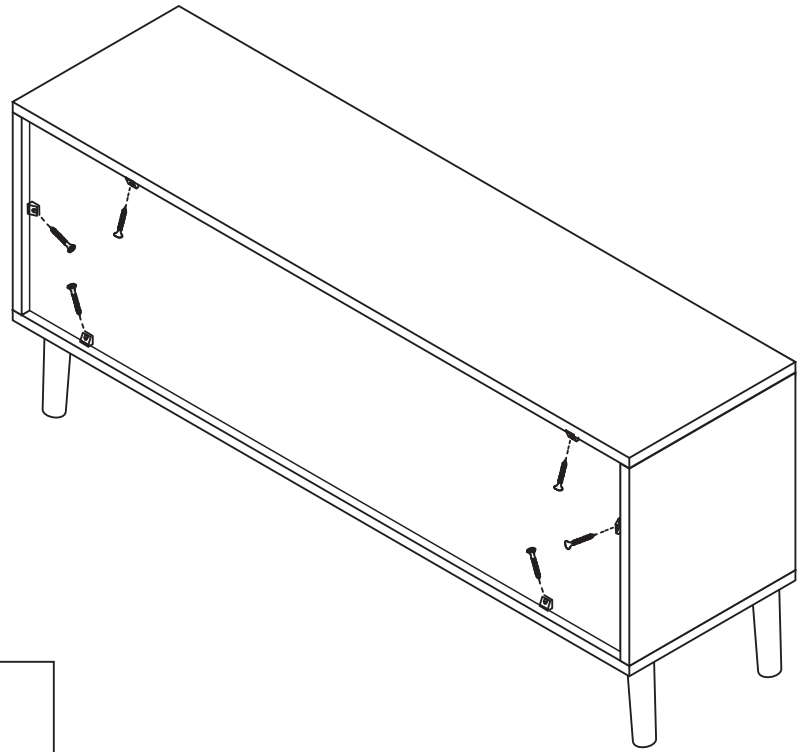
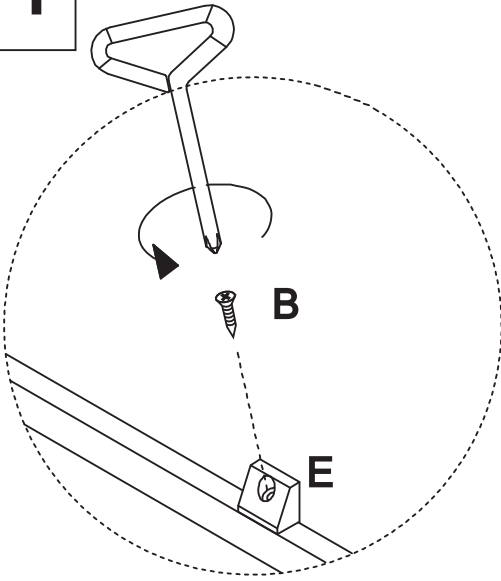
x6

E



x12

11



B



x6

E



x6

12

